

RAKE (SCULPTURED)

EE6010 - SCULPTURED RAKE - WALL PANEL

EE6040 - SCULPTURED RAKE - MASONRY WALL

EE6050 - SCULPTURED RAKE - NO WALL PANEL

EE6060 - SCULPTURED RAKE - PARTIAL WALL PANEL

EE6070 - SCULPTURED RAKE - NO WALL PANEL - JOIST

EE6080 - SCULPTURED RAKE - PARTIAL WALL PANEL - JOIST

EE6610 - SCULPTURED RAKE - INSULATED WALL PANEL

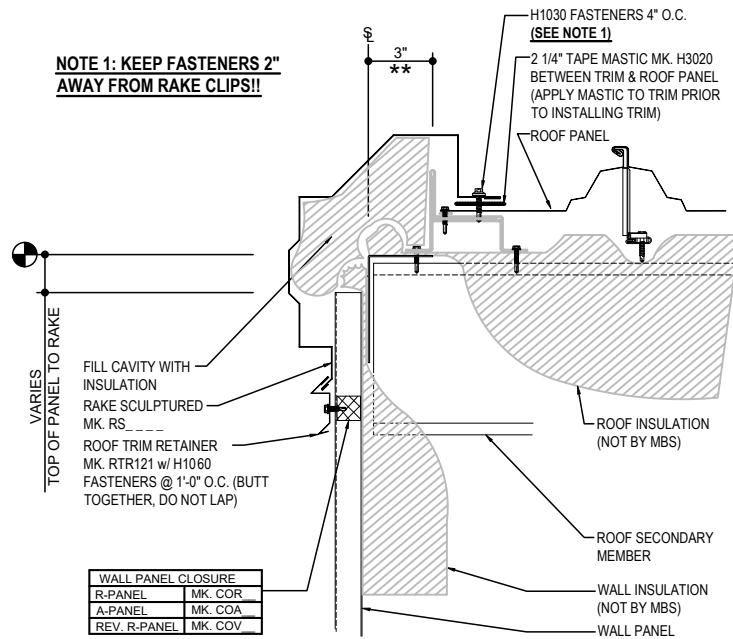
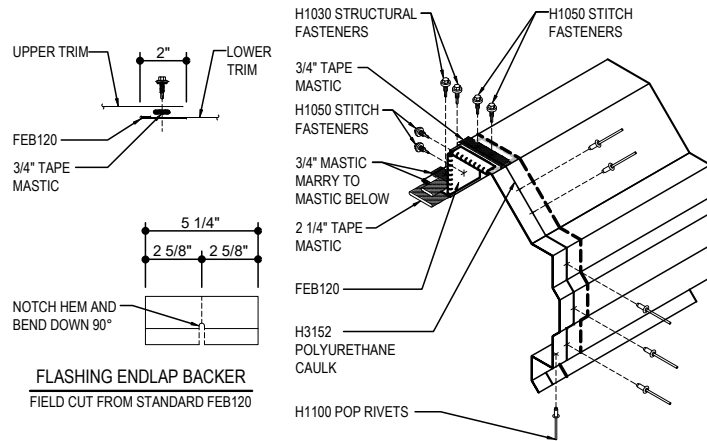
EE6900 - SCULPTURED RAKE TO RAKE PARAPET TRANSITION

EE6010 - SCULPTURED RAKE w/ WALL PANEL

[Download the DWG file by clicking here.](#)

RAKE LAP & FLASHING BACKER

SLIDE FIELD CUT SECTION OF FLASHING ENDLAP BACKER ONTO THE LOWER TRIM PIECE AS SHOWN BELOW. PLACE TAPE MASTIC NEXT TO HEM OF THE BACKER (NOT ON TOP OF HEM). APPLY CONTINUOUS BEAD OF CAULK 1" FROM END OF TRIM DOWN PROFILE OF TRIM. FASTEN LAP WITH STITCH FASTENERS AND POP RIVETS AS SHOWN. ROOF STRUCTURAL FASTENERS SHOULD BE USED TO FASTEN THROUGH PANEL FLAT INTO RAKE ANGLE.



RAKE SCULPTURED DETAIL

RAKE SCULPTURED DETAIL w/ WALL PANELS
SEE WALL SHEETING ERECTION NOTES FOR WALL PANEL FASTENER LOCATIONS

EE6010

Detailer Notes:

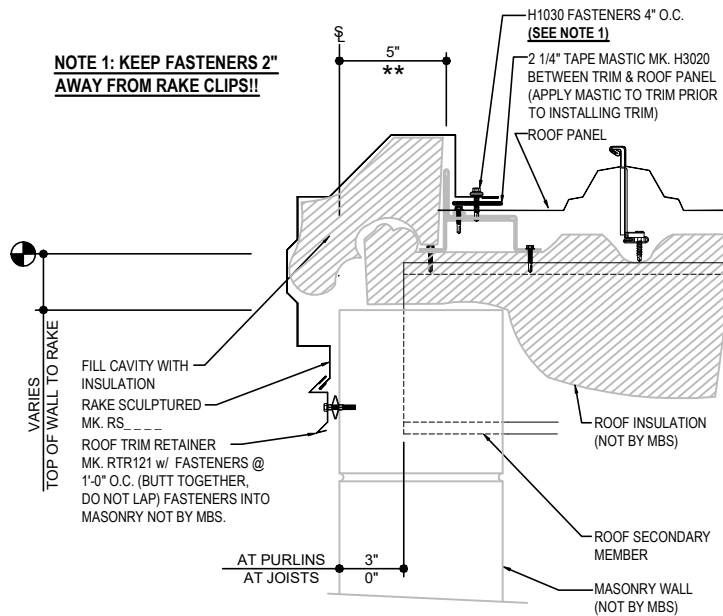
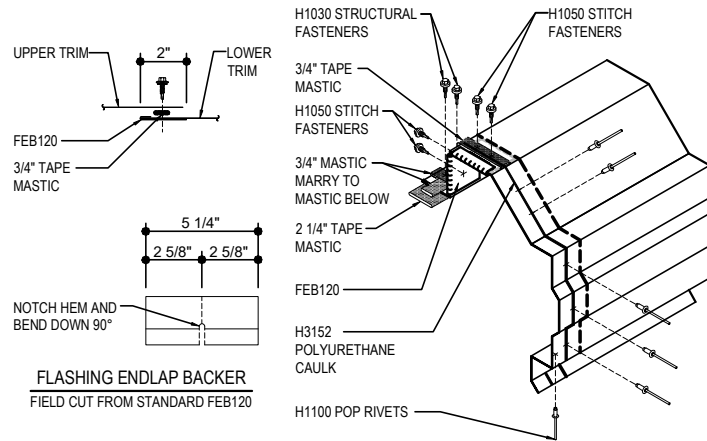
- 1) CLOSURES RAKE LAYER DEFAULT IS ON. LAYER MUST BE TURNED OFF IF CLOSURES ARE NOT REQUIRED.

EE6040 - SCULPTURED RAKE w/ MASONRY WALL

[Download the DWG file by clicking here.](#)

RAKE LAP & FLASHING BACKER

SLIDE FIELD CUT SECTION OF FLASHING ENDLAP BACKER ONTO THE LOWER TRIM PIECE AS SHOWN BELOW. PLACE TAPE MASTIC NEXT TO HEM OF THE BACKER (NOT ON TOP OF HEM). APPLY CONTINUOUS BEAD OF CAULK 1" FROM END OF TRIM DOWN PROFILE OF TRIM. FASTEN LAP WITH STITCH FASTENERS AND POP RIVETS AS SHOWN. ROOF STRUCTURAL FASTENERS SHOULD BE USED TO FASTEN THROUGH PANEL FLAT INTO RAKE ANGLE.



RAKE SCULPTURED DETAIL

RAKE SCULPTURED DETAIL w/ MASONRY WALL

EE6040

Detailer Notes:

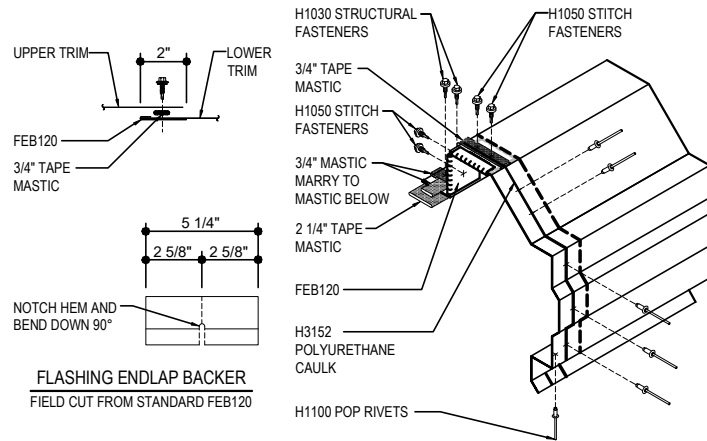
1) N/A

EE6050 - SCULPTURED RAKE w/ NO WALL PANEL

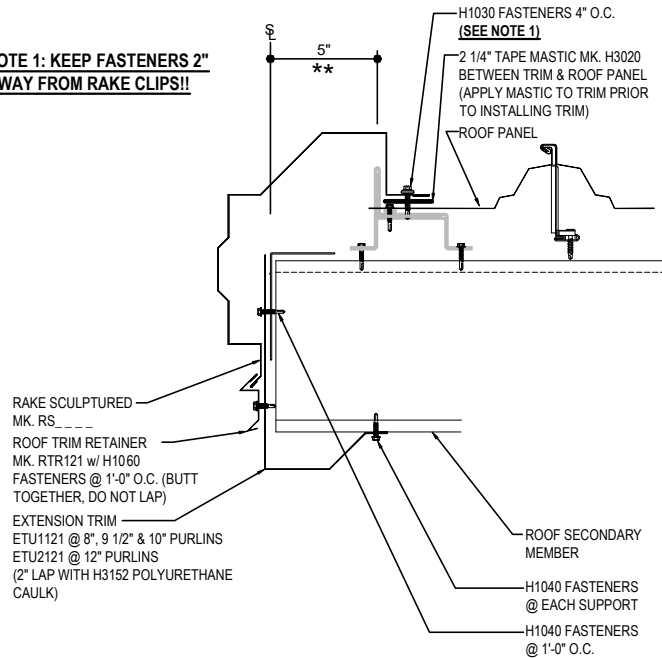
[Download the DWG file by clicking here.](#)

RAKE LAP & FLASHING BACKER

SLIDE FIELD CUT SECTION OF FLASHING ENDLAP BACKER ONTO THE LOWER TRIM PIECE AS SHOWN BELOW. PLACE TAPE MASTIC NEXT TO HEM OF THE BACKER (NOT ON TOP OF HEM). APPLY CONTINUOUS BEAD OF CAULK 1" FROM END OF TRIM DOWN PROFILE OF TRIM. FASTEN LAP WITH STITCH FASTENERS AND POP RIVETS AS SHOWN. ROOF STRUCTURAL FASTENERS SHOULD BE USED TO FASTEN THROUGH PANEL FLAT INTO RAKE ANGLE.



NOTE 1: KEEP FASTENERS 2" AWAY FROM RAKE CLIPS!!



RAKE SCULPTURED DETAIL

RAKE SCULPTURED DETAIL w/o WALL PANELS

EE6050

Detailer Notes:

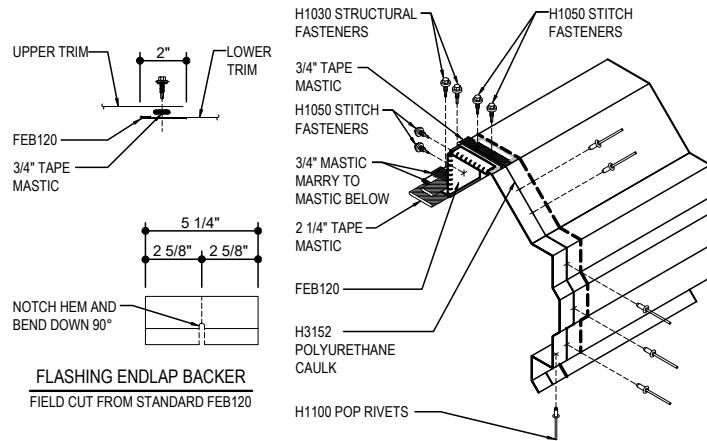
1) N/A

EE6060 - SCULPTURED RAKE w/ PARTIAL WALL PANEL

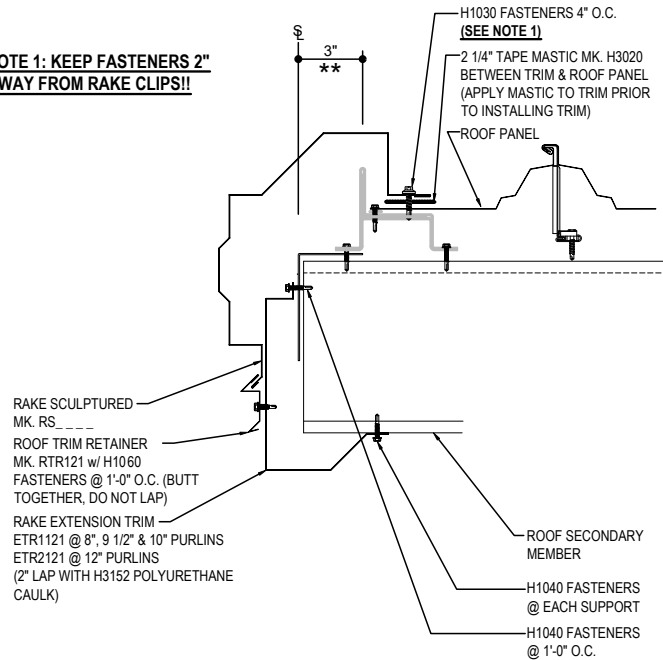
[Download the DWG file by clicking here.](#)

RAKE LAP & FLASHING BACKER

SLIDE FIELD CUT SECTION OF FLASHING ENDLAP BACKER ONTO THE LOWER TRIM PIECE AS SHOWN BELOW. PLACE TAPE MASTIC NEXT TO HEM OF THE BACKER (NOT ON TOP OF HEM). APPLY CONTINUOUS BEAD OF CAULK 1" FROM END OF TRIM DOWN PROFILE OF TRIM. FASTEN LAP WITH STITCH FASTENERS AND POP RIVETS AS SHOWN. ROOF STRUCTURAL FASTENERS SHOULD BE USED TO FASTEN THROUGH PANEL FLAT INTO RAKE ANGLE.



NOTE 1: KEEP FASTENERS 2" AWAY FROM RAKE CLIPS!!



RAKE SCULPTURED DETAIL

RAKE SCULPTURED DETAIL w/ PARTIALLY SHEETED WALL

EE6060

Detailer Notes:

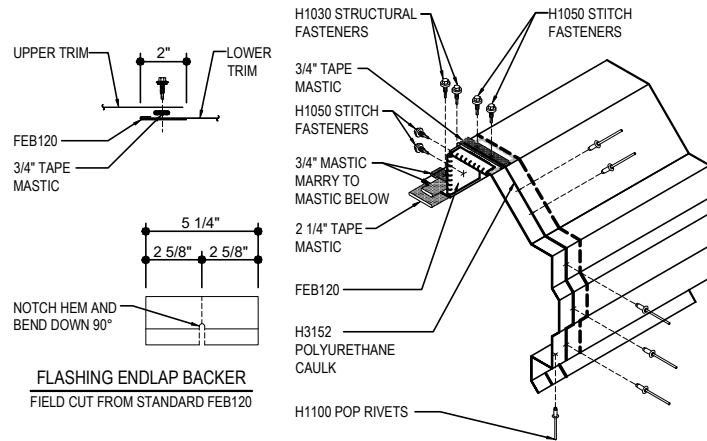
- 1) N/A

EE6070 - SCULPTURED RAKE w/ NO WALL PANEL - JOIST

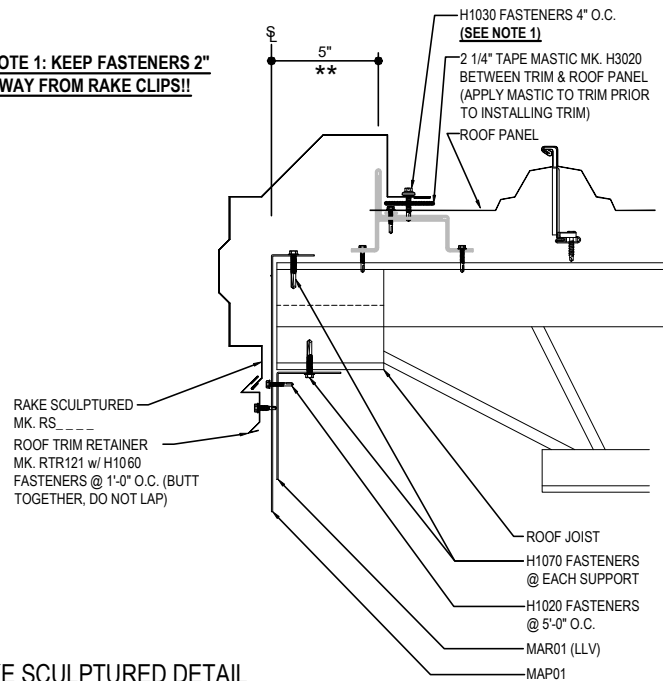
[Download the DWG file by clicking here.](#)

RAKE LAP & FLASHING BACKER

SLIDE FIELD CUT SECTION OF FLASHING ENDLAP BACKER ONTO THE LOWER TRIM PIECE AS SHOWN BELOW. PLACE TAPE MASTIC NEXT TO HEM OF THE BACKER (NOT ON TOP OF HEM). APPLY CONTINUOUS BEAD OF CAULK 1" FROM END OF TRIM DOWN PROFILE OF TRIM. FASTEN LAP WITH STITCH FASTENERS AND POP RIVETS AS SHOWN. ROOF STRUCTURAL FASTENERS SHOULD BE USED TO FASTEN THROUGH PANEL FLAT INTO RAKE ANGLE.



NOTE 1: KEEP FASTENERS 2" AWAY FROM RAKE CLIPS!!



RAKE SCULPTURED DETAIL

RAKE SCULPTURED DETAIL w/ NO WALL PANEL

EE6070

Detailer Notes:

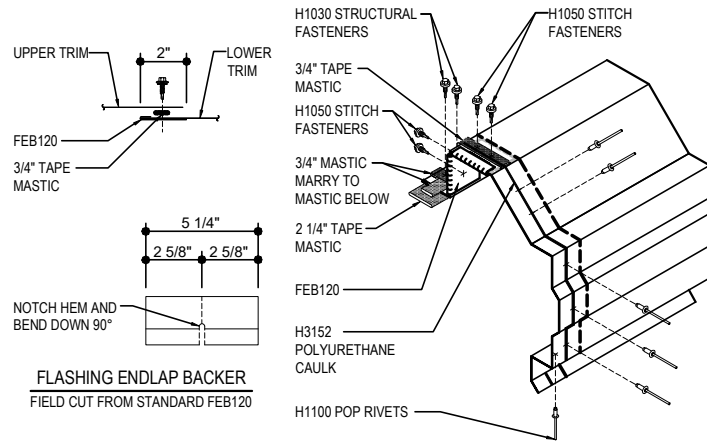
1) N/A

EE6080 - SCULPTURED RAKE w/ PARTIAL WALL PANEL - JOIST

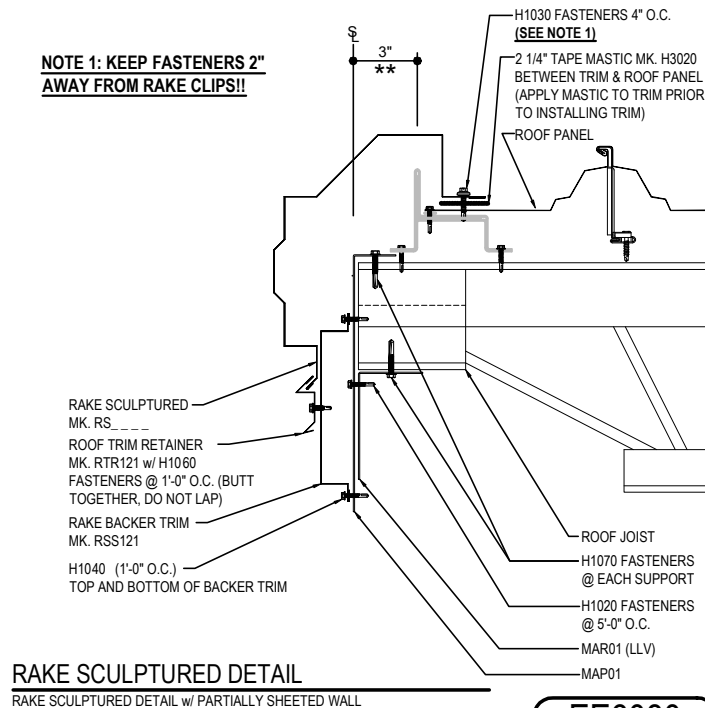
[Download the DWG file by clicking here.](#)

RAKE LAP & FLASHING BACKER

SLIDE FIELD CUT SECTION OF FLASHING ENDLAP BACKER ONTO THE LOWER TRIM PIECE AS SHOWN BELOW. PLACE TAPE MASTIC NEXT TO HEM OF THE BACKER (NOT ON TOP OF HEM). APPLY CONTINUOUS BEAD OF CAULK 1" FROM END OF TRIM DOWN PROFILE OF TRIM. FASTEN LAP WITH STITCH FASTENERS AND POP RIVETS AS SHOWN. ROOF STRUCTURAL FASTENERS SHOULD BE USED TO FASTEN THROUGH PANEL FLAT INTO RAKE ANGLE.



NOTE 1: KEEP FASTENERS 2" AWAY FROM RAKE CLIPS!!



EE6080

Detailer Notes:

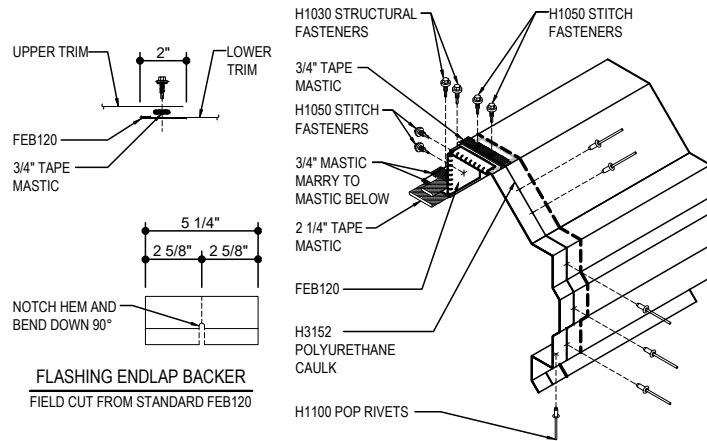
1) N/A

EE6610 - SCULPTURED RAKE w/ INSULATED WALL PANEL

[Download the DWG file by clicking here.](#)

RAKE LAP & FLASHING BACKER

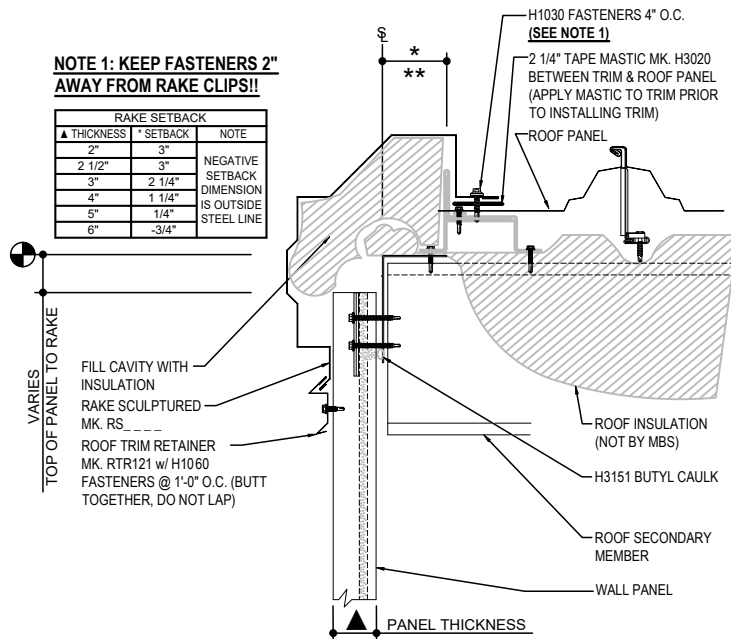
SLIDE FIELD CUT SECTION OF FLASHING ENDLAP BACKER ONTO THE LOWER TRIM PIECE AS SHOWN BELOW. PLACE TAPE MASTIC NEXT TO HEM OF THE BACKER (NOT ON TOP OF HEM). APPLY CONTINUOUS BEAD OF CAULK 1" FROM END OF TRIM DOWN PROFILE OF TRIM. FASTEN LAP WITH STITCH FASTENERS AND POP RIVETS AS SHOWN. ROOF STRUCTURAL FASTENERS SHOULD BE USED TO FASTEN THROUGH PANEL FLAT INTO RAKE ANGLE.



FLASHING ENDLAP BACKER
FIELD CUT FROM STANDARD FEB120

NOTE 1: KEEP FASTENERS 2" AWAY FROM RAKE CLIPS!!

RAKE SETBACK		
▲ THICKNESS	* SETBACK	NOTE
2"	3"	NEGATIVE SETBACK DIMENSION IS OUTSIDE STEEL LINE
2 1/2"	3"	
3"	2 1/4"	
4"	1 1/4"	
5"	1/4"	
6"	-3/4"	



RAKE SCULPTURED DETAIL

RAKE SCULPTURED DETAIL w/ WALL PANELS
SEE WALL SHEETING ERECTION NOTES FOR WALL PANEL FASTENER LOCATIONS

EE6610

Detailer Notes:

- 1) N/A

EE6900 SCULPTURED RAKE TO RAKE PARAPET TRANSITION

[Download the DWG file by clicking here.](#)

RAKE TRIM PREP

END CAP ASSEMBLY

ASSEMBLE THE RAKE CAP END (RSCE) TO THE GUTTER END CAP (H4000_) WITH (6) POP RIVETS (H1100) AS SHOWN.

RAKE CAP PART NUMBERS

• RSCL (LEFT) • RSCR (RIGHT)

RAKE TRIM PART NUMBERS

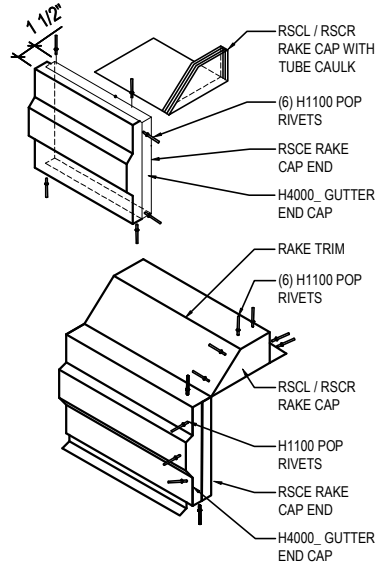
• RS_121 X 10'-1" • RS_242 X 20'-2"

APPLY POLYURETHANE TUBE CAULK (H3152) TO (3) SIDES OF THE RSCR/L AND PLACE CAP FLUSH WITH THE END OF THE RAKE TRIM. FASTEN WITH (6) POP RIVETS (H1100) AS SHOWN.

APPLY POLYURETHANE TUBE CAULK (H3152) TO THE OUTSIDE PERIMETER OF THE END CAP ASSEMBLY RSCE & H4000_. AND PLACE IT INSIDE THE RAKE TRIM WITH THE FLAT EDGE OF THE GUTTER END CAP FLUSH WITH THE END OF THE RAKE TRIM. FASTEN WITH POP RIVETS (H1100).

FASTEN THE RAKE TRIM TO THE ROOF PANEL AS INDICATED IN THE RAKE TRIM DETAIL.

ALWAYS START THE RAKE TRIM INSTALLATION AT THE LOW EAVE WORKING TOWARD THE HIGH EAVE OR RIDGE.



RAKE PARAPET PREP

RAKE PARAPET CAP PART NUMBERS

• RPCL (LEFT) • RPCR (RIGHT)

RAKE PARAPET TRIM PART NUMBER

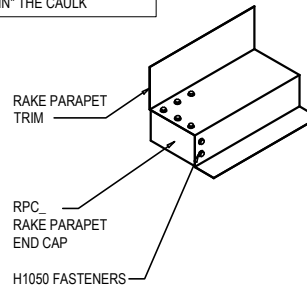
• RPU121

APPLY POLYURETHANE TUBE CAULK (H3152) AROUND THE PERIMETER OF THE RPCR/L AND PLACE CAP FLUSH WITH THE END OF THE PARAPET TRIM. FASTEN WITH (7) FASTENERS (H1050) AS SHOWN.

FASTEN PARAPET TRIM TO THE ROOF PANEL AS INDICATED IN THE PARAPET TRIM DETAIL.

ALWAYS START THE PARAPET TRIM INSTALLATION AT THE LOW EAVE WORKING TOWARD THE HIGH EAVE OR RIDGE.

NOTE: ALL POP RIVETS AND FASTENERS ARE TO BE SET "IN" THE CAULK

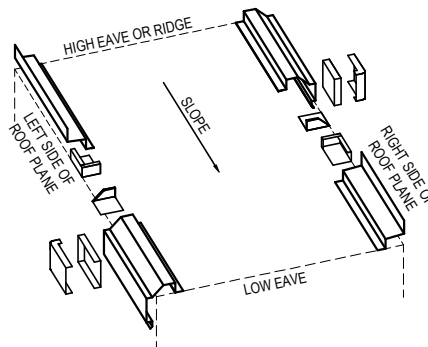


ISOMETRIC VIEW

TRIMS ALONG RAKE COULD TRANSITION FROM RAKE TRIM TO RAKE PARAPET OR FROM RAKE PARAPET TO RAKE TRIM, STARTING AT LOW EAVE WORKING TOWARD THE HIGH EAVE OR RIDGE.

TRIM END CAP PARTS AND ATTACHMENTS ARE SUPPLIED SPECIFICALLY TO EITHER OF THESE TWO TRANSITION CONDITIONS, IF PROJECT REQUIRES.

TRIM PROFILES MAY BE INSTALLED OPPOSITE OF WHAT IS SHOWN, INSTALLATION OF END CAPS INTO TRIM ARE THE SAME.



SCULPTURED RAKE TO RAKE PARAPET TRANSITION

EE6900

Detailer Notes:

1) THIS DETAIL IS DUPLICATE OF DE6900 AND EE3900. DUPLICATE DETAILS ARE TO ENSURE THAT THEY ARE PLACED IN ORDER IN ERECTION DRAWINGS.